



Instrument mounting Mounting flanges, panel cutouts

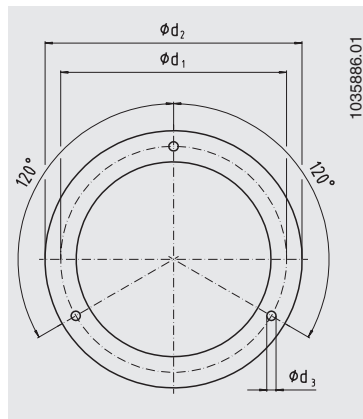
Mounting flanges

Circular housing, without electrical accessories

Front mounting flange for panel mounting

NS	Recommended panel cutout ¹⁾
40	Ø 44 ±0.3 mm
50	Ø 54 ±0.3 mm
63	Ø 67 ±0.3 mm
80	Ø 84 ±0.3 mm
100	Ø 104 ±0.5 mm
160	Ø 164 ±0.5 mm
250	Ø 254 ±0.5 mm

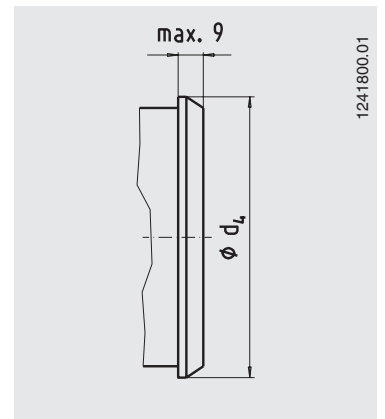
1) With back mount connection



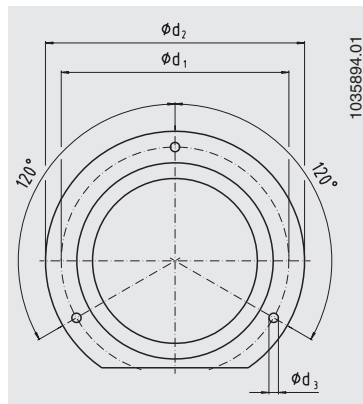
Triangular bezel for panel mounting

NS	Recommended panel cutout ¹⁾
40	Ø 41.5 +0.5 mm
50	Ø 51 ±0.5 mm
63	Ø 64.5 +0.5 mm
80	Ø 82 ±1 mm
100	Ø 102 +1 mm
160	Ø 162.6 +1 mm

1) With back mount connection



Rear mounting flange for surface mounting ²⁾

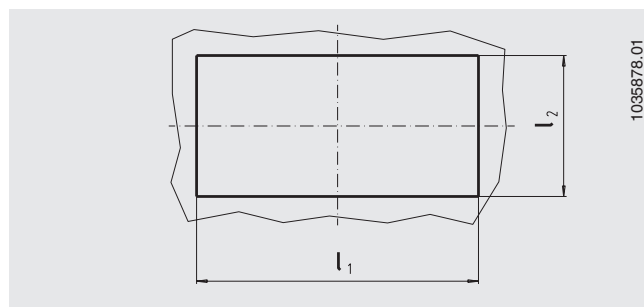


2) For some models this is achieved through three mounting lugs

Nominal size	Dimensions in mm			
	d ₁	d ₂	d ₃	d ₄ max.
40	51	61	3.6	44
50	60	71	3.6	55.5
63	75	85	3.6	69
80	95	110	4.8	88
100	117	132	4.8	108
160	178	196	5.8	168
250	270	285	5.8	-

Panel cutout in accordance with DIN 43700

Square and rectangular housings

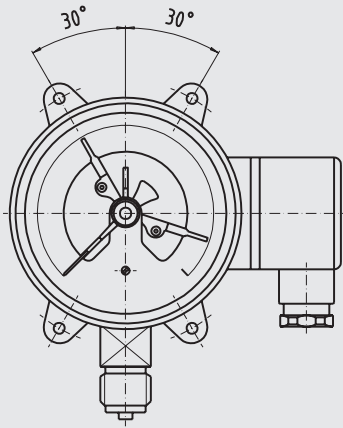


Nominal size	Dimensions in mm			
	l ₁	Permissible tolerance	l ₂	Permissible tolerance
48 x 24	45	+0.6	22.2	+0.3
72 x 36	68	+0.7	33	+0.6
72 x 72	68	+0.7	68	+0.7
96 x 96	92	+0.8	92	+0.8
144 x 72	138	+1.0	68	+0.7
144 x 144	138	+1.0	138	+1.0

Panel mounting flange

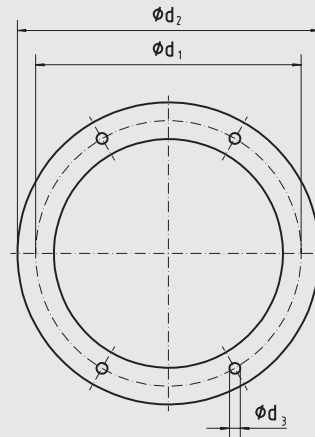
Circular housing, with electrical accessories

Lugs on housing
(for securing in the panel)



1294687.01

Corresponding mounting ring
(to cover the panel cutout)



1294687.01

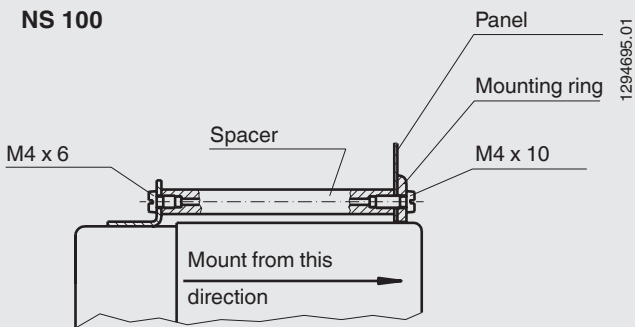
Nominal size	Dimensions in mm			
	d_1	d_2	d_3	Panel cutout ϕ
100	116	132	4.8	105
160	178	196	5.8 ¹⁾	165

1) Mounting lugs with M5 internal thread

Mounting principle with front mounting flange

with electrical accessories

NS 100

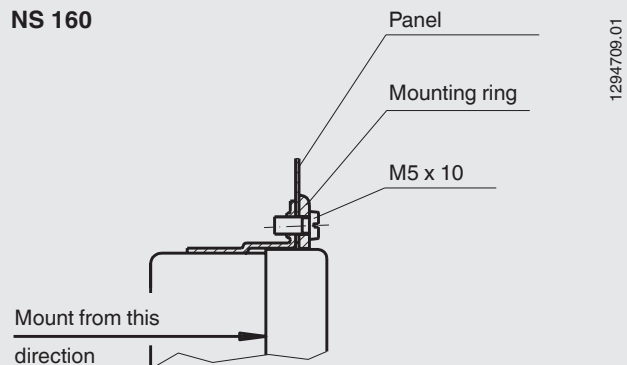


1294695.01

Delivered package includes:

- Mounting ring
- 4 spacers
- 8 screws, M4 x 10

NS 160



1294709.01

Delivered package includes:

- Mounting ring
- Additionally required
- 4 screws, M5 x 10